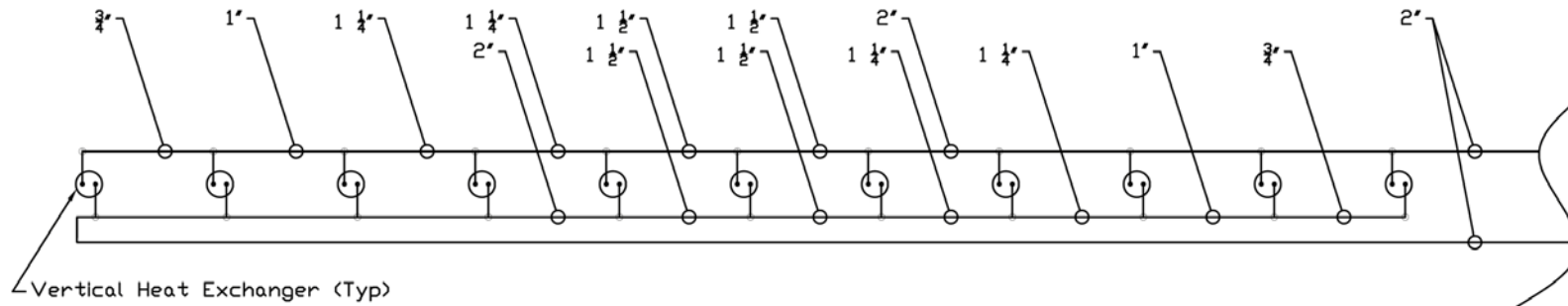


# GeoHeader® Example Detail Drawings (Standard Linear Design)

## Standard Linear Circuit Header Example Detail



(Header design based on  $\frac{3}{4}$ " VHE @ 3 GPM, water, 3' hd loss per 100' pipe)

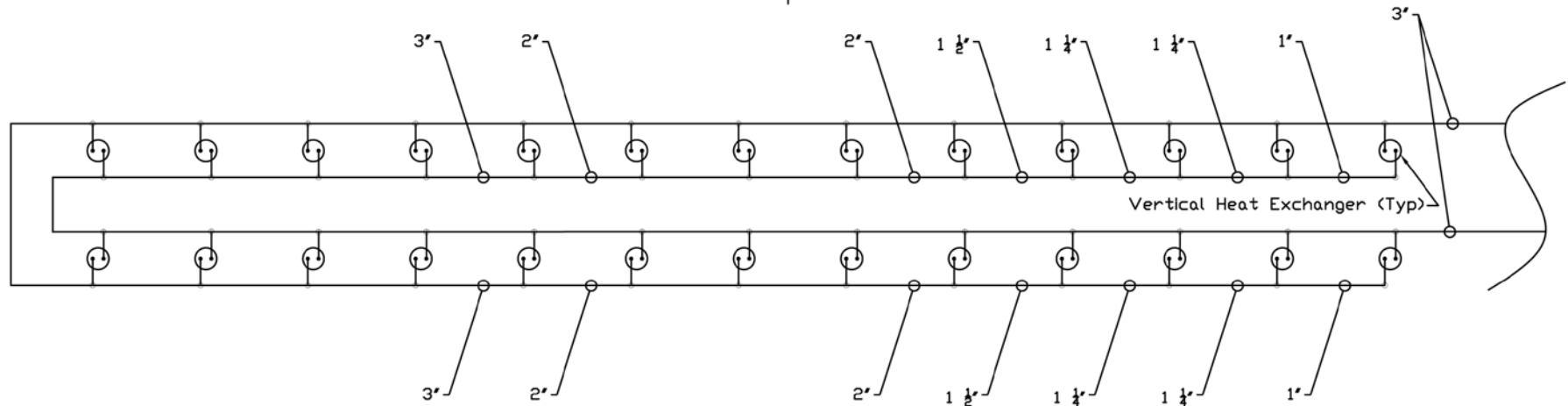
**STANDARD LINEAR DESIGN**

**MODEL NO. GH SLC2.0C11V0.75BS33CF3.0VFW20S**

Notice: Information contained in this document is subject to change without notice. This document reports accurate and reliable information to the best of our knowledge but our suggestions and recommendations cannot be guaranteed because the conditions of use are beyond our control. The user of such information assumes all risk connected with the use therefore. GHP Systems, Inc. assumes no responsibility for the use of information presented herein and hereby disclaims all liability in regard to such use. GHP Systems, Inc. reserves the right to upgrade the design/specifications of the GeoHeader® without notice.

# GeoHeader<sup>®</sup> Example Detail Drawings (Horseshoe Design)

Horseshoe Circuit Header Example Detail



(Header design based on 1" VHE @ 4.5 GPM, water, 3' hd loss per 100' pipe)

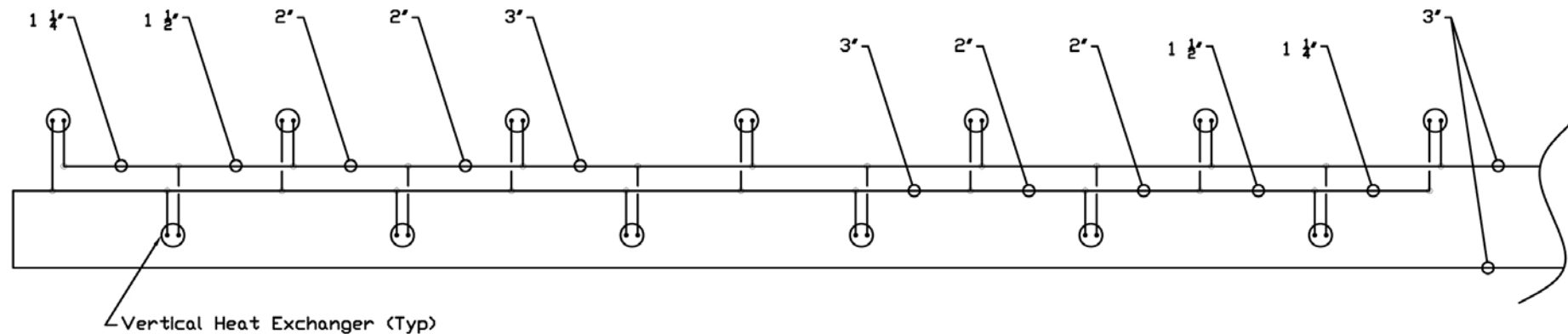
**HORSESHOE DESIGN**

**MODEL NO. GH HSC3.0C26V1.00BS117CF 4.5VFW20S**

Notice: Information contained in this document is subject to change without notice. This document reports accurate and reliable information to the best of our knowledge but our suggestions and recommendations cannot be guaranteed because the conditions of use are beyond our control. The user of such information assumes all risk connected with the use therefore. GHP Systems, Inc. assumes no responsibility for the use of information presented herein and hereby disclaims all liability in regard to such use. GHP Systems, Inc. reserves the right to upgrade the design/specifications of the GeoHeader<sup>®</sup> without notice.

# GeoHeader® Example Detail Drawings (Staggered Design)

## Staggered Circuit Header Example Detail



(Header design based on 1 1/4" VHE @ 9 GPM, water, 3' hd loss per 100' pipe)

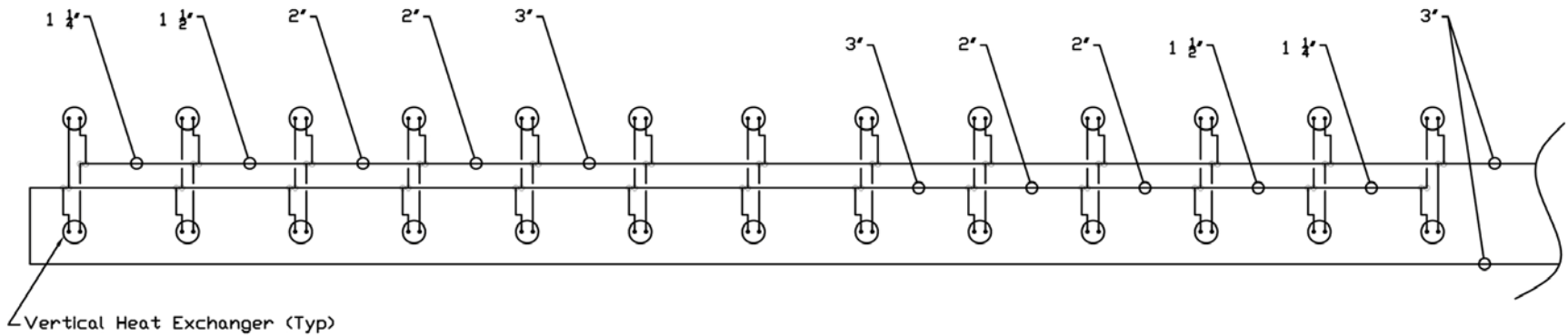
**STAGGERED DESIGN**

MODEL NO. GH SGC3.0C13V1.25BS117CF9.0VFW20S

Notice: Information contained in this document is subject to change without notice. This document reports accurate and reliable information to the best of our knowledge but our suggestions and recommendations cannot be guaranteed because the conditions of use are beyond our control. The user of such information assumes all risk connected with the use therefore. GHP Systems, Inc. assumes no responsibility for the use of information presented herein and hereby disclaims all liability in regard to such use. GHP Systems, Inc. reserves the right to upgrade the design/specifications of the GeoHeader® without notice.

# GeoHeader® Example Detail Drawings (Paired Design)

Paired Circuit Header Example Detail



(Header design based on 1" VHE @ 4.5 GPM, water, 3' hd loss per 100' pipe)

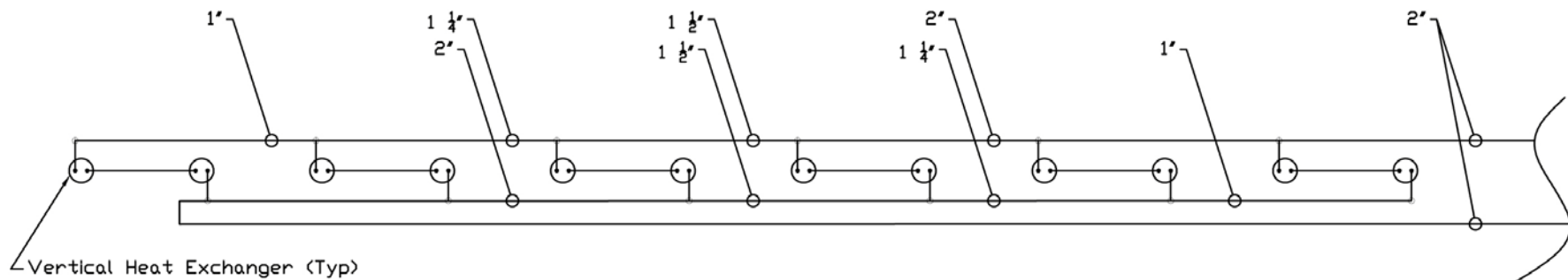
**PAIRED DESIGN**

**MODEL NO. GH PRC3.0C26V1.00BS117CF4.5VFW20S**

**Notice:** Information contained in this document is subject to change without notice. This document reports accurate and reliable information to the best of our knowledge but our suggestions and recommendations cannot be guaranteed because the conditions of use are beyond our control. The user of such information assumes all risk connected with the use therefore. GHP Systems, Inc. assumes no responsibility for the use of information presented herein and hereby disclaims all liability in regard to such use. GHP Systems, Inc. reserves the right to upgrade the design/specifications of the GeoHeader® without notice.

# GeoHeader® Example Detail Drawings (Series Design)

## VHE Series Circuit Header Example Detail



(Header design based on 1" VHE @ 5.5 GPM, water, 3' hd loss per 100' pipe)

**SERIES DESIGN**

**MODEL NO. GH VSC2.0C12V1.00BS66CF5.5VFW20S**

**Notice:** Information contained in this document is subject to change without notice. This document reports accurate and reliable information to the best of our knowledge but our suggestions and recommendations cannot be guaranteed because the conditions of use are beyond our control. The user of such information assumes all risk connected with the use therefore. GHP Systems, Inc. assumes no responsibility for the use of information presented herein and hereby disclaims all liability in regard to such use. GHP Systems, Inc. reserves the right to upgrade the design/specifications of the GeoHeader® without notice.